

Lightning adapter for SEAT MDI (LIA1ST0)

Quick Install Guide

LIA- 9210-1

1. Instructions manual

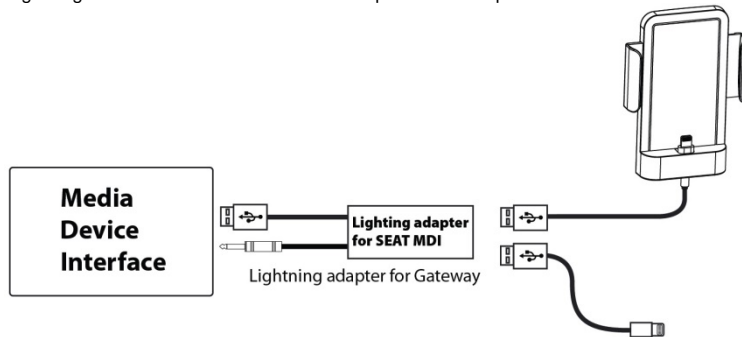
The Lightning adapter for SEAT MDI is an accessory which enables you to connect Apple devices bearing a Lightning adapter to your existing SEAT MDI. The adapter connects to the USB and to the 3,5mm Jack connector on the Media Device Interface and has a USB connector to connect your iPhone/iPod using a USB to Lightning cable (IPLC1GW) or an iPhone cradle (IP6LCRP; IP5LCRU; IP5LCRP).

2. Car Compatibility:

All Seat models with factory fitted and iPhone compatible MDI installed.

3. Installation:

To install the adapter connect it to the USB and the 3,5mm Jack connector on the MDI (both need to be connected) and connect a Lightning to USB cable or cradle to the USB port of the adapter.



4. Disclaimer and Warranty

Disclaimer

If your car's electrical system begins to behave erratically, please disconnect the LIA interface physically immediately and have it checked by your installer or a qualified car electronics technician. Dension and its authorized distributors and retailers are not liable for any incidental consequential or indirect damages or loss and do not assume liability for any diagnostic fees. Dension reserves the right to modify its products or specifications without prior notice.

Warranty

Dension devices carry a one-year limited warranty that protects you from defects in material and workmanship of products sold by Dension or its authorized distributors and retailers. Dension does not warrant any installation work or assume liability for any damage caused due to negligence, improper installation or operation. For warranty claims, proof of purchase is required

Further assistance

If you need further assistance on using your Dension product, please contact your local supplier or visit us at www.dension.com.